

Products shown installed, junction boxes not included.

- *Modular LED lighting system adapts to existing fixtures*
- *14 W LED light output equivalent to 125 W incandescent*
- *Built for Your Barn[®]*
 - *designed for biosecure facilities*
 - *watertight to withstand washing*
 - *wet location rated*
 - *conforms to NEC547 for Ag buildings*
- *Dim-to-Red[®] Technology*
 - *enables Sunrise/Sunset options*
 - *provides service lighting not visible to swine*
- *Patented spectral output†*
- *5 Year (24/7) warranty*



Lighting Designed Specifically for Swine Applications

The AgriShift[®] MLS is a highly efficient LED light fixture designed to support the biosecurity of modern swine facilities while providing significant energy savings over existing lighting solutions. The MLS replaces existing CFL solutions, thereby eliminating constant bulb replacement cycles. Additionally, the AgriShift[®] MLS is wet location rated and able to withstand wash downs. The modular design of ONCE LED lighting systems allows for easy installation in a wide range of new and existing construction.

Works across all Swine Facilities

The AgriShift[®] MLS is suitable for use in sow barns, gestation buildings, nurseries, gilt development units, and finishing facilities. The MLS provides exceptional light quality for both the swine herds and the humans caring for them. With ONCE LED lighting systems, light is evenly spread across the production floor where you and your swine need it.

Dim-to-Red[®] Capability

The dimming capability of ONCE AgriShift[®] systems simulates sunrise and sunset to reduce stress on your animals caused by sudden changes in light. Advanced LED technology allows the AgriShift[®] MLS to dim to fully red light that swine perceive as darkness. This red light can be used as “service light”, allowing workers to access the facility without disturbing or interrupting the sleep cycles of the pigs.

Built for Your Barn[®]

ONCE LED lighting systems are designed to withstand the harsh, high humidity and corrosive environments of modern containment facilities. The AgriShift[®] MLS is suitable for use in wet locations, National Electrical Code compliant for Agricultural Facilities (Article 547), and ETL listed. The 50,000 hour lifetime is backed by a 5 year (24/7) replacement warranty.

Swine-Specific LED Lighting Systems with Dim-to-Red[®] Technology

Specifications

Luminous Flux (nominal)	950 lm human photopic (adjust for specific animal's response)
Input Voltage	120 VAC
Frequency	60 Hz
Nominal Power	14 W (at full intensity)
Spectral Output	Full spectrum white
Power Factor	> 0.98
Total Harmonic Distortion	< 20%
Beam Angle	180°
Operating Temperature	-20°C to 40°C
Dimmability Range	100% to 5%, dims to red hue
Dimmer Type	Phase Modulation or Amplitude Control**
Environmental Ratings	Suitable for Wet Locations Suitable for Indoor Corrosive Environments Tested to CAN / CSA C22.2 NO. 94.2-07, CLAUSE 8.7 ROHS Compliant
Safety	ETL Listed Conforms to UL Std. 1598 (JB) Certified to CAN / CSA C22.2 NO. 250.0-08 (JB) Conforms to UL Std. 1993 (JJ) Certified to CSA Std. C22.2 NO 1993 (JJ)
Electrical Code-Compliant	NEC Article 547 Agricultural Buildings
Rated Life	50,000 Hours
Limited Warranty	5 Years (24/7 operation)

**For optimum dimming performance use AgriShift® Dimmer/Controller

Ordering Information

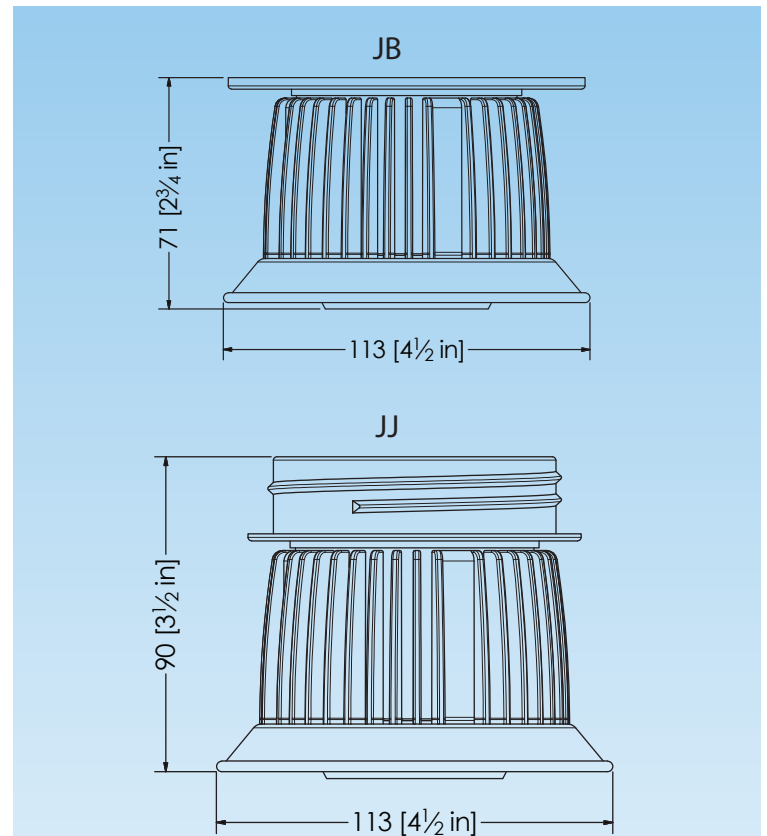
Model Numbers	120V	230V
Junction Box Mount (JB)* <i>Consists of a Base Unit plus a JB Adaptor/Connector Kit</i>	MLS-FSWR-JB-180-014-120	MLS-FSWR-JB-180-014-230
Jelly Jar Mount (JJ)* <i>Consists of a Base Unit plus a JJ Adaptor/Connector Kit</i>	MLS-FSWR-JJ-180-014-120	MLS-FSWR-JJ-180-014-230
Jelly Jar Mount - Euro (JE)* <i>Consists of a Base Unit plus a JE Adaptor/Connector Kit</i>	MLS-FSWR-JE-180-014-120	MLS-FSWR-JE-180-014-230

*Electrical junction box not included

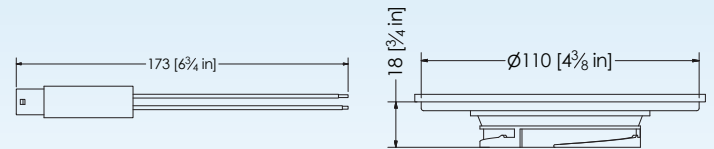
Notes

All units are fused for both internal and external protection; however, it is highly recommended that Class II surge suppression be installed on your electric circuit. This is in addition to a whole house lightning arrester that is mounted before your electrical panel. Read the Installation Manual for specific requirements.

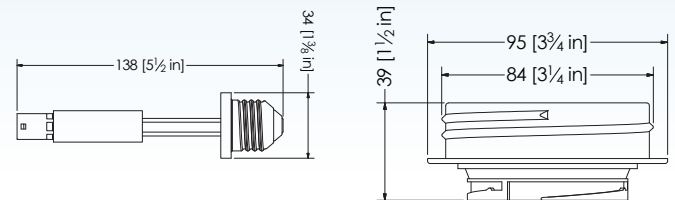
Mechanical Dimensions (mm)



Adaptor/Connector Kits



JB Kit



JJ Kit



onceinnovations.com

Once, Inc. • 5455 Highway 169 N • Plymouth, MN 55442 • T 763. 381. 5621 • F 763. 381. 5698

once®